

# SYSGUARD 3001 Main Unit

*at a glance,*

SYSGuard 3001, which is the compact solution of SYSGuard Environment Monitoring and Management Systems, controls system rooms with different sizes.

## Monitoring

Temperature, humidity, leakage, air flow, vibration, on/off controls, electricity values, UPS are some of the values that should be monitored and managed in a system room. on/off controls of a cabinet is ensured via proximity and numeric keypads.

## Setting Alarms

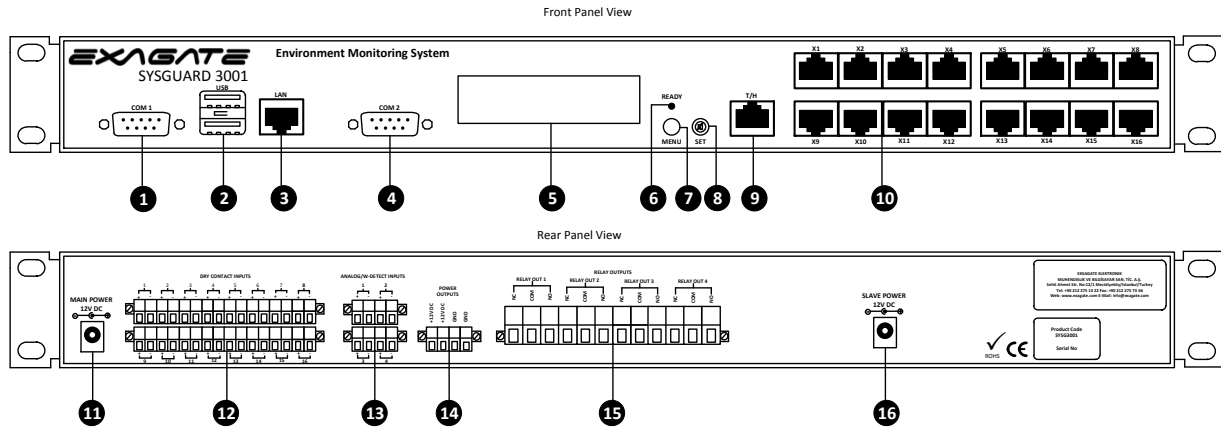
in case any of values monitored are out of minimum-maximum values defined by administrator, system gives alarm and informs predefined employee via either an e-mail, SMS, voice call or sirens.

## Management

Received alarms are integrated with the management functions and controlled without causing any remarkable loss.

## Reporting

All monitoring, alarm and management functions in the system are recorded and an archive file is generated. An analysis is made retrospectively and IT budgets are controlled accordingly.



- |                               |                                       |
|-------------------------------|---------------------------------------|
| 1 COM 1 Port, GSM Modem Input | 9 Temperature / Humidity Sensor Input |
| 2 USB Ports, For Programming  | 10 Sensor / Module Inputs             |
| 3 LAN Port                    | 11 Power Input                        |
| 4 COM 2 Port, RS-232 Input    | 12 Dry Contact Inputs                 |
| 5 LCD Display                 | 13 Analog / Water Detect Inputs       |
| 6 Status LED                  | 14 Power Outputs                      |
| 7 Menu Button                 | 15 Relay Outputs                      |
| 8 Set / Mute                  | 16 Slave Power Input                  |

### Head Office

A: Sehit Ahmet Sokak No:12/1 Mecidiyekoy - Istanbul - Turkey  
 T: +90 212 275 73 22 F: +90 212 275 73 66  
 E: info@exagate.com

### Support

support@exagate.com



### Operational Properties

Power Supply Voltage	10,5 - 14,4 VDC typical 12 VDC
Power Consumption	0,22 - 0,36 A typical 0,24 A 2,64 - 4,62 W typical 2,88 W
Operational Temperature Range	-10 +70 °C
Operational Humidity Range	0 - 90 % Rh
Storage Temperature Range	-40 +85 °C
Storage Humidity Range	0 - 90 % Rh

### Physical Properties

Dimensions (H x W x D)	44,14 x 480 x 101	mm
	1,73 x 18,89 x 3,97	inches
Color	Black	
Weight	1500 (+/- 5%)	grams

### Internal Temperature & Humidity Sensor Properties

Temperature Measurement Range	-10 +70
Temperature Measurement Tolerance	+/- 0,4
Temperature Measurement Resolution	0,1
Humidity Measurement Range	0 - 85 % Rh
Humidity Measurement Tolerance	+/-3 % Rh
Humidity Measurement Resolution	%0,1 Rh
Maximum Distance from Main Unit	3 m

### Technical Properties

Analog / Water Sensor Port	Dry Contact Input	Relay Output
4 units Analog resolution 10bit Voltage Range 0-5 VDC	16 units 5-12 VDC Isolated	4 units NO / NC Max. 5A
RS232 (2 Units) ExaBus Port (16 Units)	USB Port (2 Units) Slave Power Input (1 Unit)	Ethernet Port (1 Unit) External Power Input (max.=1A)

#### Head Office

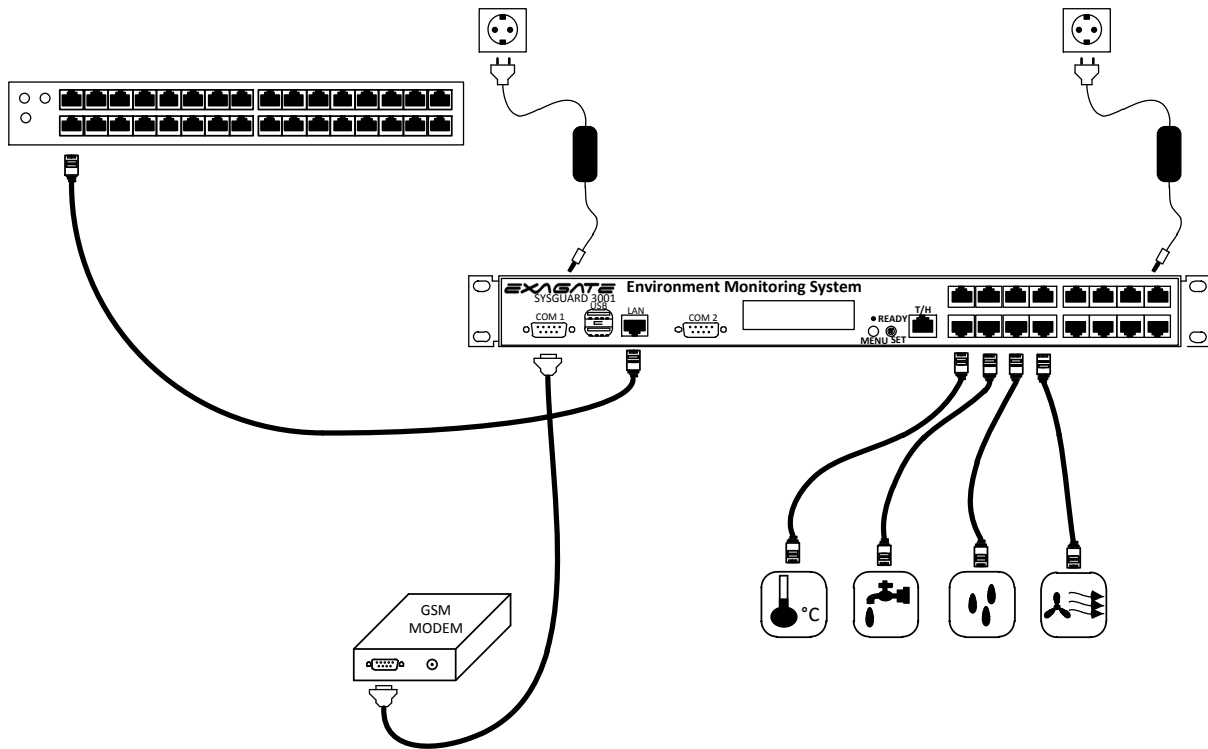
A: Sehit Ahmet Sokak No:12/1 Mecidiyekoy - Istanbul - Turkey  
T: +90 212 275 73 22 F: +90 212 275 73 66  
E: info@exagate.com

#### Support

support@exagate.com



## Sample Connection Diagrams



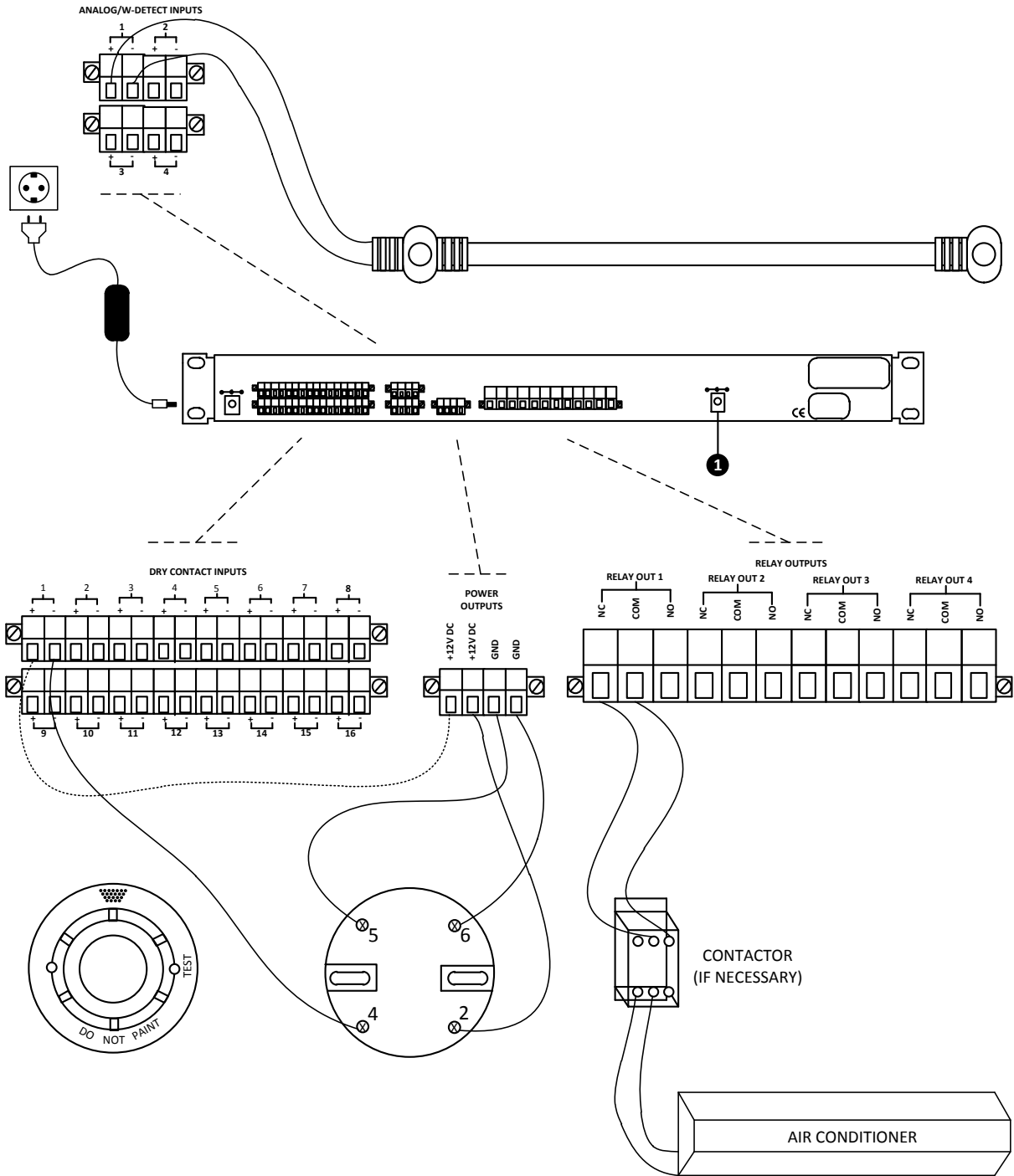
### Head Office

A: Sehit Ahmet Sokak No:12/1 Mecidiyekoy - Istanbul - Turkey  
T: +90 212 275 73 22 F: +90 212 275 73 66  
E: info@exagate.com

### Support

support@exagate.com





**Head Office**

A: Sehit Ahmet Sokak No:12/1 Mecidiyekoy - Istanbul - Turkey  
 T: +90 212 275 73 22 F: +90 212 275 73 66  
 E: info@exagate.com

**Support**

support@exagate.com



PRODUCT SKU #	BARCODE #	P/N	DESCRIPTION
SYSG3001	8699931600100	7270MU12002	Main Unit

## LIMITED PRODUCT WARRANTY

All ExaGate products are covered with 2 years limited guarantee from the date of original purchase. (Warranty duration may change depending on your country) Your sales or delivery receipt, showing the date of purchase of product is your proof of purchase. ExaGate is obliged to repair or replace the defective hardware (or any part of it's) with no charge to owner.

### Conditions Void of Warranty

- Damages on unit, cable or screen.
- Defections due to electrical wiring and/or city network.
- Interference to unit by non-authorized staff.
- Any problems caused by act of nature.
- Misusage of unit stated by the user manual.
- Removal or destruction of serial number, warranty labels.
- Any kind of modifications on unit.

#### Head Office

A: Sehit Ahmet Sokak No:12/1 Mecidiyekoy - Istanbul - Turkey  
T: +90 212 275 73 22 F: +90 212 275 73 66  
E: info@exagate.com

#### Support

support@exagate.com

