

# SYSGUARD 2001 Main Unit

*at a glance,*

SYSGuard 2001, which is the compact solution of SYSGuard Environment Monitoring and Management Systems, controls system rooms with different sizes.

## Monitoring

Temperature, humidity, leakage, air flow, vibration, on/off controls, electricity values, UPS are some of the values that should be monitored and managed in a system room. on/off controls of a cabinet is ensured via proximity and numeric keypads.

## Setting Alarms

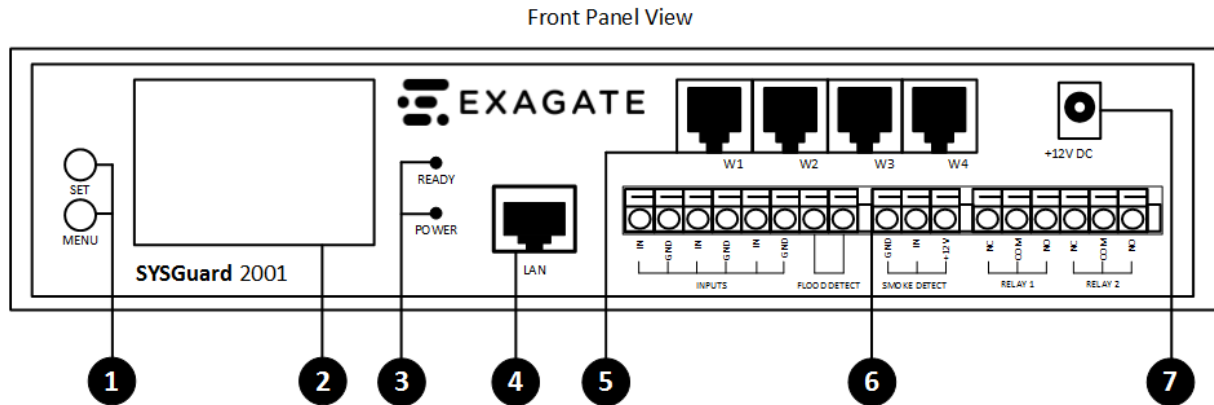
in case any of values monitored are out of minimum-maximum values defined by administrator, system gives alarm and informs predefined employee via either an e-mail, SMS, voice call or sirens.

## Management

Received alarms are integrated with the management functions and controlled without causing any remarkable loss.

## Reporting

All monitoring, alarm and management functions in the system are recorded and an archive file is generated. An analysis is made retrospectively and IT budgets are controlled accordingly.



1 Menu / Set Button

2 LCD Display

3 Status LEDs

4 Ethernet Port

5 Sensor / Module Inputs (RJ-11)

6 Dry Contact & Flood & Smoke & Relais Ports

7 Power Input

## Operational Properties

Power Supply Voltage	10,5 - 14,4 VDC typical 12 VDC
Power Consumption	0,22 - 0,36 A typical 0,24 A 2,64 - 4,62 W typical 2,88 W
Operational Temperature Range	-10 +70 °C
Operational Humidity Range	0 - 90 % Rh
Storage Temperature Range	-40 +85 °C
Storage Humidity Range	0 - 90 % Rh

## Physical Properties

Dimensions (H x W x D)	44,14 x 200 x 600	mm
	1,73 x 7,84 x 23,6	mm
Color	Black	
Weight	450 (+/- 5%)	grams

## Internal Temperature & Humidity Sensor Properties

Temperature Measurement Range	-10 +70
Temperature Measurement Tolerance	+/- 0,4
Temperature Measurement Resolution	0,1
Humidity Measurement Range	0 - 85 % Rh
Humidity Measurement Tolerance	+/-3 % Rh
Humidity Measurement Resolution	%0,1 Rh
Maximum Distance from Main Unit	3 m

## Technical Properties

Analog / Water Sensor Port	Dry Contact Input	Relay Output
1 units Analog resolution 10bit Voltage Range 0-5 VDC	4 units 5-12 VDC Isolated	2 units NO / NC Max. 5A
Ethernet Port (1 Unit)	Sensor Inputs (4 Units) RJ-11 1 Used for Internal T&H Sensor	External Power Input (max.=1A)

### Head Office

A: Sehit Ahmet Sokak No:12/1 Mecidiyekoy - Istanbul - Turkey  
T: +90 212 275 73 22 F: +90 212 275 73 66  
E: info@exagate.com

### Support

support@exagate.com



### Compatible Sensors

- SYSG2010**      SYSGuard 2010 Humidity & Temperature Sensor.  
**SYSG2020**      SYSGuard 2020 Temperature Sensor.  
**SYSG2030**      SYSGuard 2030 Air Flow Module.

### Sample Connection Diagrams

#### Head Office

A: Sehit Ahmet Sokak No:12/1 Mecidiyekoy - Istanbul - Turkey  
T: +90 212 275 73 22 F: +90 212 275 73 66  
E: [info@exagate.com](mailto:info@exagate.com)

#### Support

[support@exagate.com](mailto:support@exagate.com)



PRODUCT SKU #	BARCODE #	P/N	DESCRIPTION
SYSG2001	8699931600056	7270MU12002	Main Unit

## LIMITED PRODUCT WARRANTY

All ExaGate products are covered with 2 years limited guarantee from the date of original purchase. (Warranty duration may change depending on your country) Your sales or delivery receipt, showing the date of purchase of product is your proof of purchase. ExaGate is obliged to repair or replace the defective hardware (or any part of it's) with no charge to owner.

### Conditions Void of Warranty

- Damages on unit, cable or screen.
- Defections due to electrical wiring and/or city network.
- Interference to unit by non-authorized staff.
- Any problems caused by act of nature.
- Misusage of unit stated by the user manual.
- Removal or destruction of serial number, warranty labels.
- Any kind of modifications on unit.

#### Head Office

A: Sehit Ahmet Sokak No:12/1 Mecidiyekoy - Istanbul - Turkey  
T: +90 212 275 73 22 F: +90 212 275 73 66  
E: info@exagate.com

#### Support

support@exagate.com

